

lagoon[®] Advanced Care

WH6-20LAC and TD6-20LAC

The ideal replacement for any dry-cleaning operation



Features and benefits



Keep customers coming back

Outstanding results for garments of every type thanks to specialized detergents and dedicated programs



Delicate on the delicates

Gentle on fine textiles and wools labelled dry-clean only, as less mechanical action. Woolmark-approved



Rapid return on investment

With a better loading factor, less prespotting, easier finishing and faster process times



Sustainable and eco-friendly

Water-based cleaning with none of the disadvantages of PERC, which can be dangerous to staff



Dry to dry in 1 hour

Smart chemicals and processes mean garments are fully dried in the dryer - no hang-dry

Main specifications				WH6-20LAC
Max. capacity	Laundry	filling factor 1:9	kg	20
	Wool	filling factor 1:15	kg	14
	Silk	filling factor 1:18	kg	10
Drum,	volume		litre	180
	diameter		∅ mm	725
Extraction			rpm	1055
G-factor				450
Heating alternative	electricity		kW	18.0
Consumption data "lagoon"				
Total time	Wool High		min	22
	Wool Medium		min	23
	Silk		min	16
	Synth. mix Medium		min	20
	Synth. mix Low		min	17
	Curtains		min	20
Water consumption (cold+hot)	Wool High		litre	110
	Wool Medium		litre	106
	Silk		litre	80
	Synth. mix Medium		litre	85
	Synth. mix Low		litre	80
	Curtains		litre	95
Energy consumption (motor/heating/water)	Wool High		kWh	0.15/1.0
	Wool Medium		kWh	0.15/1.0
	Silk		kWh	0.05/0.6
	Synth. mix Medium		kWh	0.15/1.0
	Synth. mix Low		kWh	0.05/0.95
	Curtains		kWh	0.05/0.7
Consumption data ECO 60 1:9*				
Total time			min	65
Water consumption (cold+hot)			litre	113+10
Energy consumption (motor/heating/hot water)			kWh	0.5/2.2/0.55
Residual moisture			%	45

* Water temperature 15°C cold water and 65°C hot water.

Main specifications				TD6-20LAC			
Max. capacity	Drying	filling factor 1:18	kg	20			
	Drum,	volume	litre	360			
		diameter	∅ mm	755			
Heating alternative	electricity		kW	18.0			
	gas		BTU/h (kW)	21.0			
	steam at 700 kPa			25.0			
	heat pump		kW	6.5			
Consumption data "lagoon"				El	Gas	Steam	Heat pump
Total time	Wool High*		min	19	18	16	24
	Wool Medium*		min	16	15	14	21
	Synthetic mix**		min	12	12	10	29
Consumption data***							
Total time			min	27	26	23	44
Energy consumption (motor/heating/hot water)			kWh	8.2	9.3	9.9	2.99
Evaporation			g/min	302	321	352	185
Energy/Water evaporation			kWh/l	1.00	1.13	1.21	0.36

* 1:30 load 100% wool load at 30% initial moisture dried to 0%.

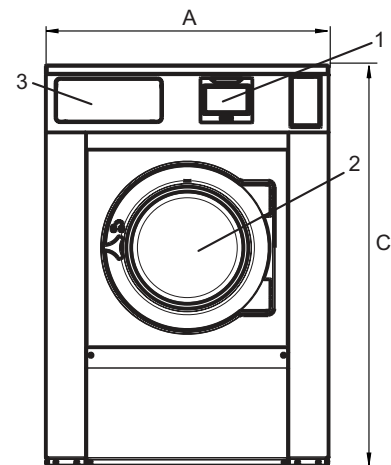
** 1:40 load 100% synthetic load at 20% initial moisture dried to 0%.

*** At rated capacity 100% cotton load at 50% initial moisture dried to 0%.

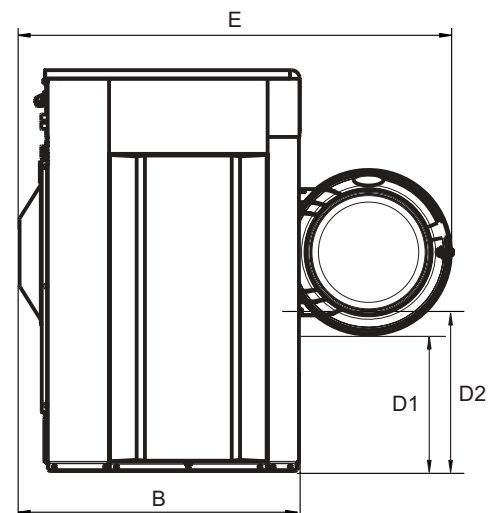
Electrical connections					
Heating alternative	Main voltage		Heating power kW	Total power kW	Recommended fuse A
		Hz			
Electric heated	220-240V 3 ~	50/60	18.0	18.5	50
	380-415V 3N/3 ~	50/60	18.0	18.5	35
	440V 3 ~	60	18.0	18.5	25
	480V 3 ~	60	18.0	18.5	25
Steam or Non heated	220-480V 1 ~	50/60	-	2.5	10

* Total power and recommended fuse does not depend on the heating power in those cases.

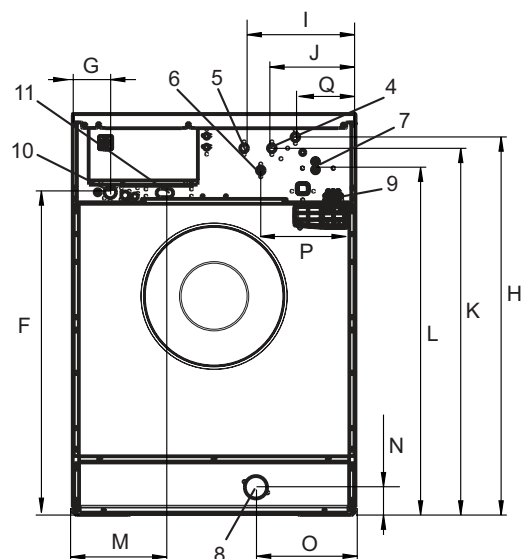
Water and steam connection		WH6-20LAC
Water valves	DN	20
Water pressure	kPa	200-600
Capacity at 300 kPa	l/min	30
Drain valve	ø mm	75
Draining capacity	l/min	170
Steam valve	DN	15
Steam pressure	kPa	300-600
Liquid detergent supplies		5
Floor requirements		
Frequency of the dynamic force	Hz	17.6
Floor load at max extraction	kN	4.2 ± 1.0
Sound levels		
Sound power/pressure level at extraction*	dB(A)	84/68
Sound power/pressure level at wash*	dB(A)	66/50
Heat emission		
% of installed power, max		5
Shipping data**		
Weight	net, kg	354
Shipping volume	m ³	1.66
Accessories		
Steel base		x
Hose kits for water or steam		x
Fluff collector		x
Dimensions in mm		
A	Width	970
B	Depth	947
C	Height	1412
D1		461
D2		526
E		1511
F		1130
G		150
H		1329
I		402
J		302
K		1288
L		1208
M		348
N		100
O		333
P		342
Q		217
1	Display	7 Re-used water
2	Door opening ø 435 mm	8 Drain valve
3	Detergent box	9 Liquid detergent supply
4	Cold water	10 Electrical connection
5	Hot water	11 Steam connection
6	Cold/Hot water	



Front



Side view



Rear

* Sound power levels measured according to ISO 60704.

** Average data. Crated weight/shipping volume depends on configuration. Please contact logistics for exact measures.

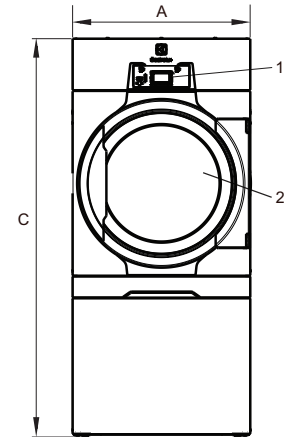
Electrical connections					
Heating alternative	Main voltage		Heating power kW	Total power kW	Recommended fuse A
		Hz			
Electric heated	220-230V 3 ~	50/60	18.0	19.0	50
	240V 3 ~	50/60	18.0	19.0	50
	380-415V 3N ~	50/60	18.0	19.0	35
	440V 3 ~	50/60	18.0	19.0	35
	480V 3 ~	60	18.0	19.0	25
Gas heated/ Steam heated	220-240V 3 ~	50/60	*	1.0	10
	380-415V 3N ~	50/60	*	1.0	10
	440V 3 ~	50/60	*	1.0	10
	480V 3 ~	60	*	1.0	10

* Total power and recommended fuse does not depend on the heating power in those cases.

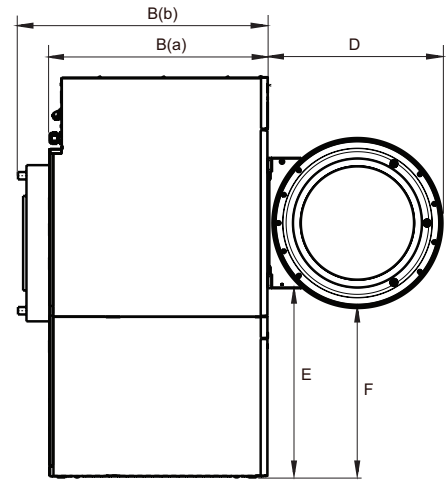
Steam, gas and air connections			TD6-20LAC
Steam	ISO 7/1-R		1"
Steam pressure	kPa		100-1000
Steam consumption	kg/h		65
Condensate	ISO 7/1-R		1"
Gas	ISO 7/1-R		1/2"
Gas pressure	Natural gas	Pa	2000
		mbar	20
	Propane	Pa	2800-5000
		mbar	28-50
Air outlet		ø mm	200
Evacuated air,	el 18.0 kW gas 21.0 kW steam 25.0 kW	m ³ /h	525
			600
			690
Pressure drop	el 18.0 kW gas 21.0 kW steam 25.0 kW	Max. Pa	650
			650
			650
Sound levels			
Sound power/pressure level at drying*		dB(A)	72/56
Heat emission			
% of installed power, max		15	
Shipping data**			
Weight	kg	243	
Shipping volume	crated, m ³	2.07	
Dimensions in mm			
A	Width	790	
B(a)	Depth, el and gas	1202	
B(b)	Depth, steam	1342	
C	Height	1771	
D		773	
E		836	
F		750	
G		110	
H		62	
I		270	
J		240	
K		174	
L		605	
M		739	
N		396	
1	Operating panel		
2	Door opening ø 580 mm		
3	Electrical connection on gas heated machines		
4	Gas connection/Electrical connection on electrical heated machines		
5	Exhaust connection		
6	Condensate connection		
7	Steam connection		

* Sound power levels measured according to ISO 60704.

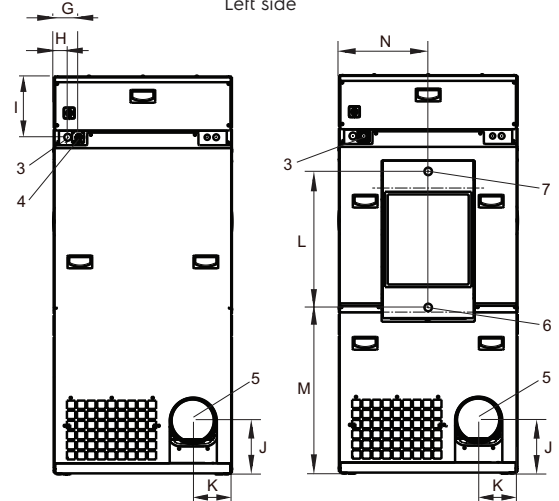
** Average data. Crated weight/shipping volume depends on configuration. Please contact logistics for exact measures.



Front



Left side



El, gas

Steam

Rear side

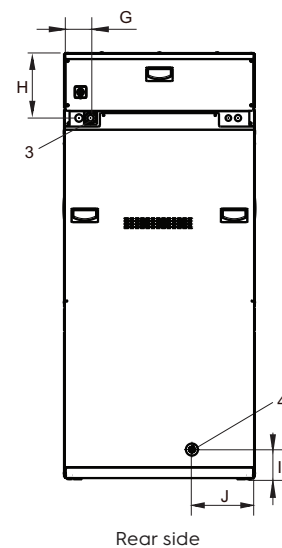
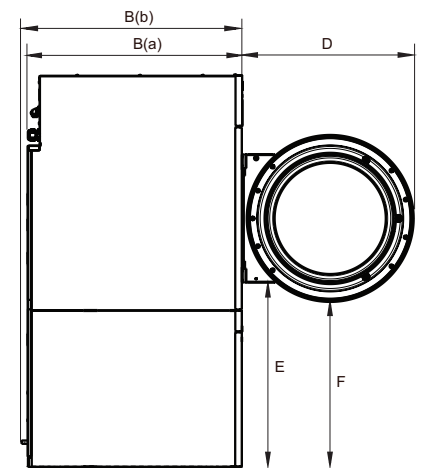
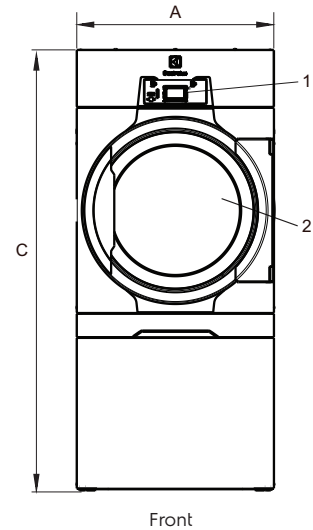
Electrical connections				
Heating alternative	Main voltage	Heating power kW	Total power kW	Recommended fuse A
	Hz			
Heat pump	220-240V 1/1N - 50/60	*	5.5	25
	380-415V 3/3N - 50/60	*	6.5	10

* Total power and recommended fuse does not depend on the heating power in those cases.

Sound levels	TD6-20LAC
Sound power/pressure level at drying* dB(A)	72/56
Heat emission	
% of installed power, max	15
Shipping data**	
Weight kg	308
Shipping volume crated, m ³	2.15
Dimensions in mm	
A(a) Width	790
B(a) Depth	1202
B(b) Depth	1229
C Height	1771
D	773
E	836
F	750
G	110
H	270
I	123
J	262
1 Operating panel	
2 Door opening \varnothing 580 mm	
3 Electrical connection	
4 Drain for condense water	

* Sound power levels measured according to ISO 60704.

** Average data. Crated weight/shipping volume depends on configuration. Please contact logistics for exact measures.





Jetsave PNCs	Description
988930001	Complete kit with 2 pumps, 550 ml/min
988930002	Complete kit with 3 pumps, 550 ml/min
988930003	Complete kit with 4 pumps, 550 ml/min
988930004	Complete kit with 5 pumps, 550 ml/min

Accessories PNCs	Description
988916611	Single low level probe
432930071	Extension POWER cable (6m)
432930072	Extension DATA cable (6m)

Power supply
From the washer extractor: 100-240V- 50/60 Hz / 0.1A (Max)

Electrolux name and description	Packaging 20 litres	Packaging 10 litres
W01 - lagoon Sensitive Detergent Professional detergent for natural/animal fiber	432731085	432731086
W03 - lagoon Sensitive Conditioner Professional conditioner for natural/animal fiber	432731087	432731088
W02 - lagoon Delicate Detergent Professional delicate universal detergent	432731089	432731090

For further information including spotting agents, please refer to the lagoon detergent Product Data Sheet



BASE; closed front and sides



Suitable for models: WH6-20LAC
988918871
Height: 230 mm
Material: Galvanised, silver grey painted steel
with stainless steel front panel.

BASE; "floating foundation"



Suitable for models: WH6-20LAC
988918872
Material: Galvanised, silver grey painted steel with
stainless steel front panel.
Feature: A "floating foundation" filled with
concrete eliminates noise to other parts
of the building.