

Tumble dryer

TD6-6



Dryer featuring exceptional savings and effortless use



Priority on people

Certified ergonomic design with a human-centered approach for an outstanding user experience

- Reversible door hanging for a convenient laundry flow
- Easy access to vital parts from the top and rear for simple servicing
- Stainless steel drum



Long-term savings

Innovative features to save money and time, and embrace a sustainable lifestyle

- Residual Moisture Control for an accurate drying result and a low energy consumption



Pure control

Monitor your equipment and performance from anywhere, allowing to take action and to improve your business with OnE Laundry - the personal assistant for hygiene validation management, process management and revenue management



Productivity

- Reversing drum for less tangling of large items
- For optimal performance the room temperature should not exceed 25° Celcius for the condensed version

Main options and accessories

- Stainless steel front
- Connection to booking- /payment- system or coin meter
- Stacking frame for mounting TD6-6 on top of WH6-6
- Stainless steel base frame
- Integrated condense system



Images shown are a representation of the product only and variations may occur.

Main specifications			TD6-6		Condense
Rated capacity, filling factor 1:22	kg/lb		6/13		6/13
Drum volume	litre		130		130
Drum diameter	mm		575		575
Heating alternatives electric	kW		5.1 / 3.2		3.0
Consumption data*			EI 5.1 kW	EI 3.2 kW	
Total time full load	min		41	62	63
Energy consumption full load	kWh		3.02	3.05	3.3
Evaporation	g/min		73	48	47
Energy kWh/litre water evaporated	kWh/l		1.02	1.03	1.11

* At rated capacity 1:22, 100% cotton load at 50% initial moisture dried to 0%.

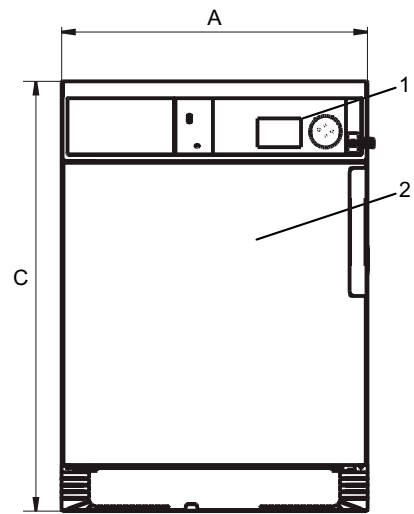
Electrical connections					
Heating alternative	Main voltage		Heating power kW	Total power kW	Recommended fuse A
		Hz			
Electric heated	220-240V 1 ~	50/60	3.2	3.5	16
	220-240V 3 ~	50/60	3.2/5.1	3.5/5.4	16
	380-415 3 ~	50/60	5.1	5.4	10
	440/480V 3 ~	60	5.1	5.4	10
Condense	220-240V 1 ~	50/60	3.0	3.3	16
	220-240V 3 ~	50/60	3.0	3.3	16
	380-415 3 ~	50/60	3.0	3.3	10
	440/480V 3 ~	60	3.0	3.3	10

Connections		TD6-6	Condense
Air outlet	mm	∅ 100	-
Maximum air flow	m ³ /h	240	-
Condensate		-	1/2"
Maximum static back pressure	Pa	80	-
Sound levels			
Sound power/pressure level at drying*	dB(A)	67/53	67/53
Heat emission			
% of installed power, max		15	15
Shipping data**			
Shipping volume	net, kg m ³	58 0.51	57 0.63
Accessories			
Stacking frame for mounting TD6-6 on top of WH6-6		x	x
Stainless steel base frame		x	x
Dimensions in mm			
A Width		597	597
B Depth		725	725
C Height		839	839
D		138	138
E		50	50
F		89	89
G		200	200
1 Operating panel 2 Door opening ∅ 370 mm 3 Electrical connection 4 Exhaust connection 5 Condense connection			

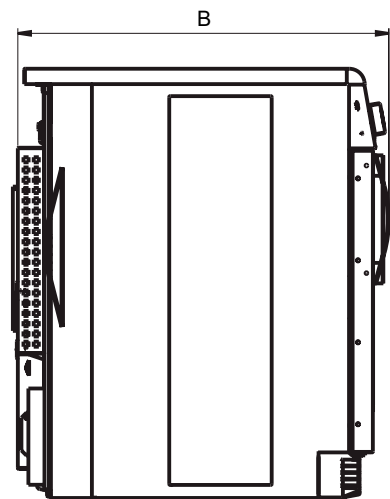
Front and side panels in silver grey and dark blue (color samples can be ordered on part number 472998313).

* Sound power levels measured according to ISO 60704.

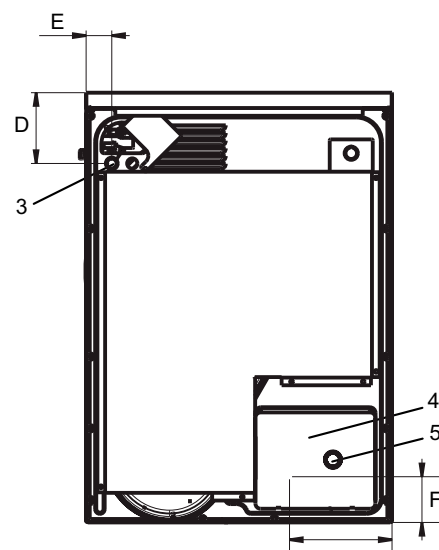
** Average data. Crated weight/shipping volume depends on configuration. Please contact logistics for exact measures.



Front



Left side



Rear side