

Pullman barrier washer extractors

WPB4700H, WPB4900H, WPB41100H

Features and benefits

- Two compartment inner drum separated by a Pullman partition for the best ergonomics and mechanical action on the market
- Automatic inner drum positioning in loading or unloading position
- Automatic locking and unlocking of outer drum doors
- Largest doors on the market
- Unloading by gravity, the easiest and fastest of the market
- End of cycle sound and visual alarm for optimum productivity
- Intuitive programming control panel
 - 8 colour industrial touch screen
 - Smart card reader & writer
 - Electrolux unfolding menus
 - Choice of 14 languages
- Pneumatic suspensions for minimum vibrations
- Frequency control motor and Poly V belt for precise, consistent and silent rotation speeds
- 5 compartment soap box for manual supply or connection to automatic liquid system



Images shown are a representation of the product only and variations may occur.

Main options

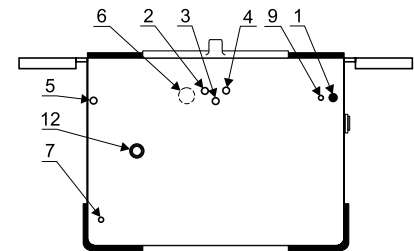
- Colour display on unloading side for best process control and productivity
- IS - Integrated Saving
- Integrated pH meter for a better performing traceability
- Automatic opening of inner drum doors at the end of the washing cycle
- Titration valve for bath sampling
- Stainless steel cover panels
- Clean room application
- Opening of loading outer door at 180° for semi automatic loading
- Third water inlet
- Second drain valve for water recycling

Main specifications			WPB4700H		WPB4900H		WPB41100H	
Maximum capacity, filling factor 1:10		kg/lb	70/154		90/198		110/242	
Drum volume		litre	690		890		1080	
	diameter	ø mm	1050		1050		1050	
Extraction		rpm	720		720		720	
G-factor			300		300		300	
Heating alternatives	electricity	kW	54		72		72	
	steam		x		x		x	
Consumption data "Normal 65°C" typical wash cycle with pre-wash*			Electric	Steam	Electric	Steam	Electric	Steam
Water consumption (cold)		litre	990	990	1190	1190	1490	1490
Energy consumption (motor/heating)*		kWh/h	1.86/15	1.86	2.3/22	2.3	2.4/26	2.4
Steam consumption		kg	-	24	-	32	-	36
Compressed air consumption		litre	50	50	50	50	50	50
<small>* Typical cycle (filling 1/10) prewash 3 mn 35°C, drain 2 mn, main wash 4 mn 65°C, drain 2 mn, rinse 2 mn distribution 2 min, rinse 2 min, extraction 2 mn, rinse 2 mn, extraction 10 mn (cold water temperature 15°C).</small>								

Produced according to ISO 9001 and ISO 14001.

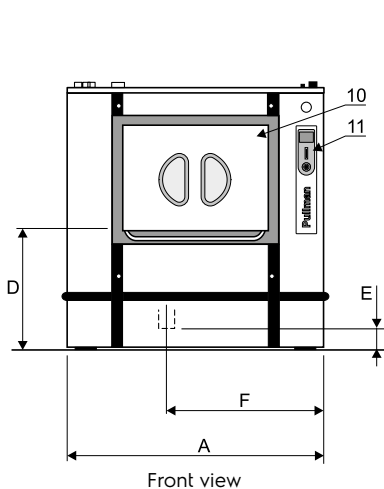
Certified with CB certificate for Low Voltage Directive and S-mark according to the Machinery Directive. Protection class IP X4D.

Electrical connections*		WPB4700H	WPB4900H	WPB41100H
Heating Voltage				
Electric	380-415V 3 AC 50/60 Hz kW(A)	65.7 (125)	87.7 (160)	91 (160)
Steam or non-heated	380-415V 3 AC 50/60 Hz kW(A)	11.7 (40)	15.7 (40)	19 (50)
Water and steam connections				
Water valves	DN	32	32	32
Water pressure	kPa	50-600	50-600	50-600
Capacity at 250 kPa	l/min	200	200	200
Drain valve	ø mm	110	110	110
Draining capacity	l/min	380	380	380
Steam valve	DN	25	25	25
Steam pressure	kPa	300-600	300-600	300-600
Compressed air	mm	6/8	6/8	6/8
Compressed air pressure	kPa	550-700	550-700	550-700
Sound levels				
Airborne sound level (washing/extraction)				
	dB(A)	64/83	64/83	67/83
Heat emission				
% of installed power	max	5	5	5
Shipping data				
Weight	net, kg	2600	2800	2900
Dimensions in mm				
A	Width	1496	1726	1956
B	Depth	1363	1363	1363
C	Height	2040	2040	2040
D		990	990	990
E		240	240	240
F		965	1080	1195
G	with 180° door opening option only	830	830	830
H	with 180° door opening option only	2580	2580	2580
I		790	790	790
K		2075	2075	2075
1	Electrical connection	7	Liquid supply connection	
2	Cold water	8	Soap box	
3	Hot water	9	Compressed air	
4	Cold soft water	10	Loading/unloading door	
5	Steam connection	11	Control panel	
6	Drain	12	Vent connection	

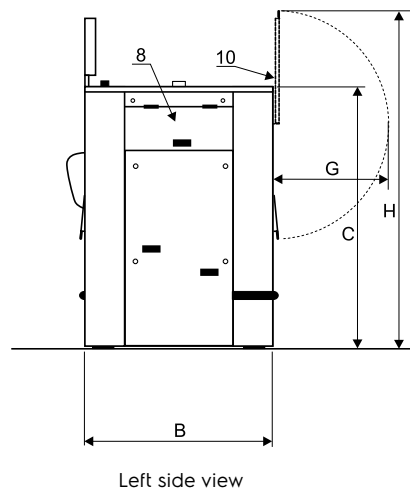


Top view

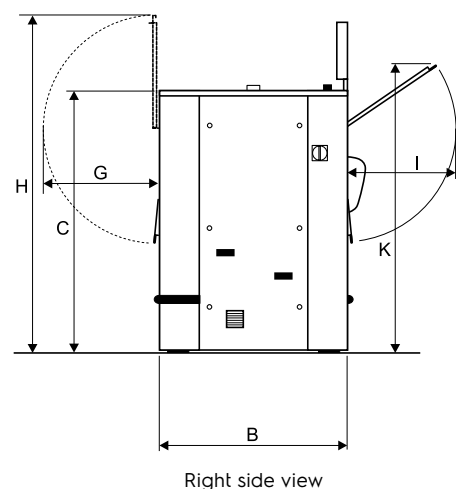
* Other voltages available, see installation manual.



Front view



Left side view



Right side view